

WedgeRock RW

The Rock Worm Gear (RW) Solutions

Features

- Modular design accommodates multiple applications
 - Quarter Turn
 - Multi-turn
 - Rising stem
- Input shaft projection parallel or perpendicular to output
- High efficiency and standard efficiency options
- All available ratios are self-locking
- Motorized and manual input options
- Splined drive sleeve available
- Travel indication
- Elastomer seals at all ingress points
- Available for subsea applications
- Application engineered



Purpose Engineered - Quality Manufactured - Performance Tested

WedgeRock RW Series Worm Gear

Model	1,000 Cycle Manual Torque Standard	Gear Ratio	Mechanical Advantage	Max Bore W/ Square Key	Max Bore W/ Rectangular Key	Max Stem Engagement	Min Standard Flange**	Max Standard Flange**	RPR Base Frame Size	Weight
	In-Lbs/(Nm)			+/- 10%	In/(mm)					
RW8	38,000 (4,294)	73	26	2.75	3.00	5.80 (147)	F/FA14	F/FA19	RPR5	86
		18.3	12	(70)	(76)				RPR5	(39)
RW10	75,000 (8,475)	91	29	3.50	3.75	6.70 (170)	F/FA16	F/FA30	RPR5	120
		22.8	14	(89)	(95)				RPR5	(54)
RW12	135,000 (15,254)	91	35	4.25	4.50	7.80 (198)	F/FA19	F/FA36	RPR5	268
		22.8	15	(108)	(114)				RPR5	(122)
RW14	225,000 (25,424)	91	34	6.25	6.50	8.40 (213)	F/FA25	F/FA40	RPR6	388
		22.8	15	(159)	(165)				RPR6	(176)
RW18	400,000 (45,198)	91	35	7.50	7.75	9.60 (244)	F/FA30	F/FA48	RPR6	675
		22.8	15	(191)	(197)				RPR6	(306)
RW22	750,000 (84,746)	91	35	8.00	8.50	11.90 (302)	F/FA35	F/FA60	RPR8	1120
		22.8	15	(203)	(216)				RPR8	(508)
RW30	1,350,000 (152,542)	89	40	9.75	10.50	13.80 (351)	F/FA40	30" BCD	RPR8	2116
		22.3	18	(248)	(267)			760mm BCD	RPR8	(960)
RW34	2,250,000 (254,237)	133	36	10.00	10.50	16.00 (406)	F/FA48	AS	RPR8	2815
		33.3	16	(254)	(267)			REQUIRED	RPR9	(1277)
RW42	4,000,000 (451,977)	169	37	14.00	15.00	16.00 (406)	F/FA60	AS	RPR9	6320
		42.3	28	(356)	(381)			REQUIRED	RPR9	(2867)
RW42H	7,500,000 (847,458)	169	37	14.00	15.00	16.00 (406)	F/FA60	AS	RPR10	6428
		42.3	28	(356)	(381)			REQUIRED	RPR12	(2916)
RW52	13,500,000 (1,525,424)	169	37	AS REQUIRED					RPR12	10950
		42.3	28						RPR14	(4967)
RW52H	20,000,000 (2,259,887)	169	37	AS REQUIRED					RPR14	12120
		42.3	28						RPR14	(5498)

*Torque rating includes 2X safety factor

** Spigot diameters and thicknesses may not fit on some standard flanges. This will require an oversize flange.

For motorized rating, multiply manual rating by 0.80

WedgeRock RPR Series Planetary Reduction Gear

Planetary gear for direct mount on RW gear operators

Available on all RPR frame sizes:

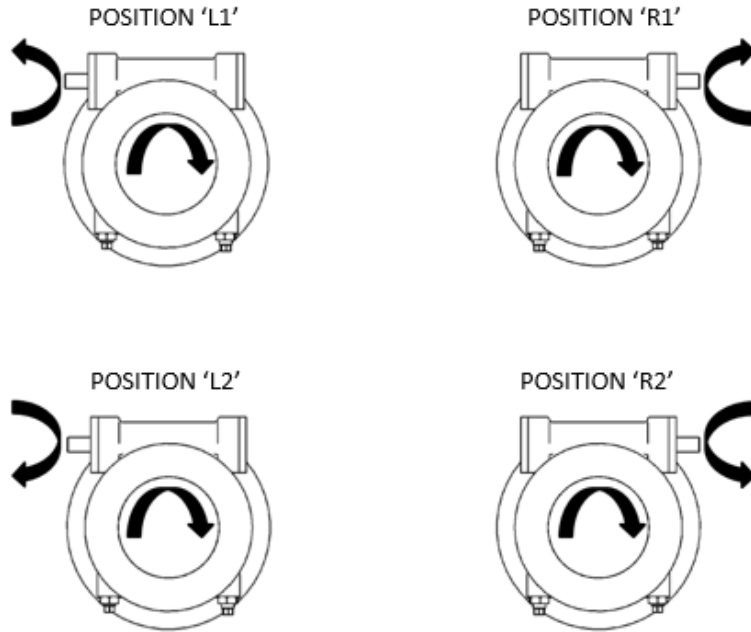
Ratios	2.5	2.6	2.71	2.78	2.85	3.00	3.18	3.29	3.40	3.67	4.00	4.20	4.43	5.00	5.80	6.33	9.00
Mechanical Advantage	2.4	2.5	2.6	2.7	2.8	2.9	3.1	3.2	3.3	3.6	3.9	4.1	4.3	4.9	5.6	6.1	8.7

RPR planetary gears can be stacked to increase ratio and create more ratio options.

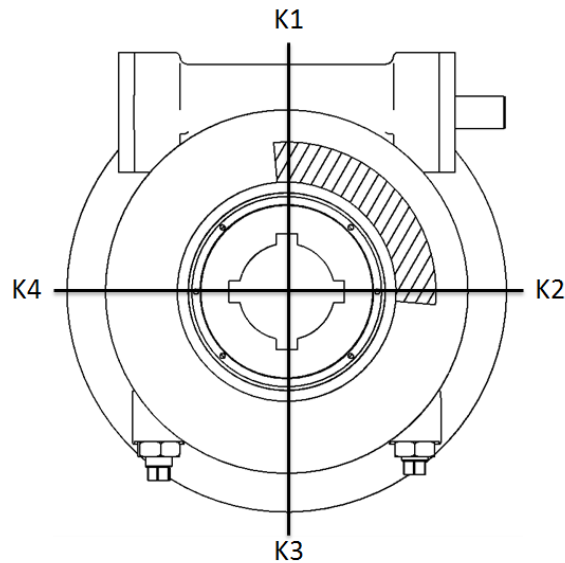
Model	Input Shaft Diameter	Min Standard Input Flange	Max Standard Input Flange
	In/(mm)		
RPR5	1.00 (25.4)	F/FA12	F/FA14
RPR6	1.0/1.50 (25.4/38.1)	F/FA14	F/FA16
RPR8	1.5/2.0 (38.1/50.8)	F/FA16	F/FA25
RPR9	1.5/2.0 (38.1/50.8)	F/FA16	F/FA25
RPR10	3.00 (76.2)	F/FA19	F/FA35
RPR12	3.50 (88.9)	F/FA25	F/FA40
RPR14	4.00 (101.6)	F/FA30	F/FA48

INPUT SHAFT PROJECTION

(L1 & R1 are standard)



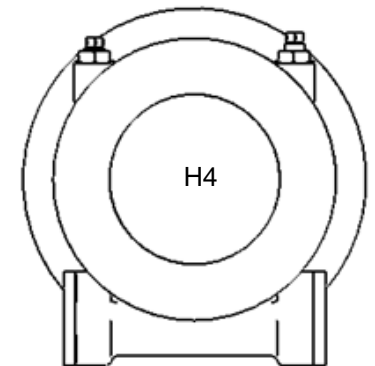
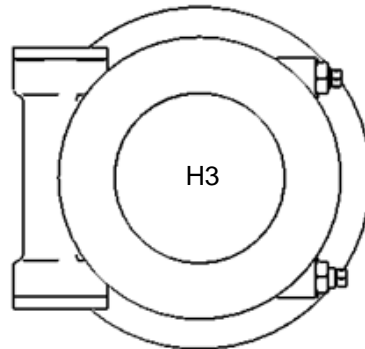
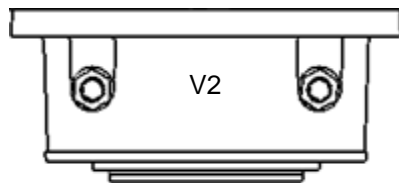
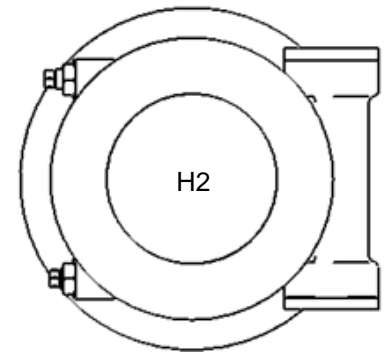
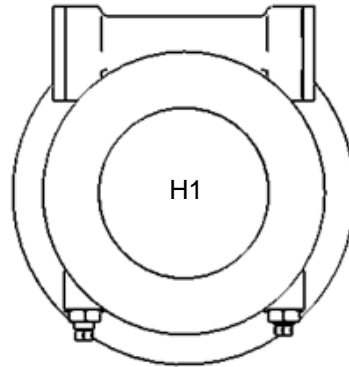
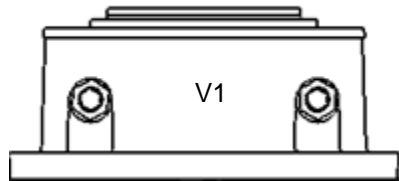
KEYWAY POSITION



TOP VIEW WITH QUADRANT IN CLOSED POSITION

GEAR OPERATOR ORIENTATION

Gear operator orientation allows for proper vent configuration.



STANDARD GEARS INCLUDE:

- Ductile Iron Housings (Carbon Steel if fabricated).
- Standard Temperature Range: -40 to 225°F [-40 to 107°C].
 - Seal: -40 to 225° F [-40 to 107°C] (Buna Nitrile)
 - Grease: -40 to 400°F [-40 to 204°C]
- Machined for direct mount without adaption.
- Designed for Ingress Protection Rating: IP68
- Pressure relief valves in the housing and stem, relieves pressure build caused by temperature changes. (For effective venting Gear Orientation must be provided for proper relief valve positioning.)

ADDITIONAL OPTIONS AVAILABLE:

- Low Temp. -60 to 275°F [-51 to 135°C]
 - Seal: Low Temp. -60 to 275°F [-51 to 135°C] (Low Temp Buna Nitrile)
 - Grease: Low Temp. -60 to 300°F [-51 to 149°C]
- High Temp. -15 to 400°F [-26 to 204°C]
 - Seal: -15 to 400°F [-26 to 204°C] (Viton)
 - Grease: -40 to 400°F [-40 to 204°C]
- Risers and Adaptors
- Lockouts
- Arrestor Brackets (Supports the use of a Portable Torque Tool.)

ADDITIONAL CONFIGURATIONS AVAILABLE:

- Buy America Compliant
- AWWA Compliant (Standard and in 316 SS)
- Declutchable and Lost Motion Overrides
(For use with hydraulic and pneumatic actuators.)
- Configurable Sub Sea Compliant options
- Bronze Housings with Exotic Hardware options

Options and Configurations are not limited to the above, please make request for special applications and specification requirements.